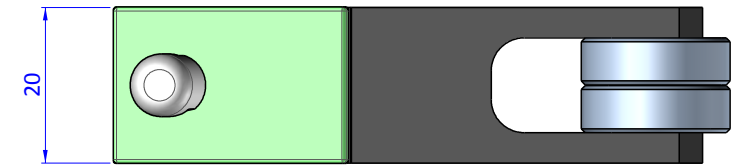
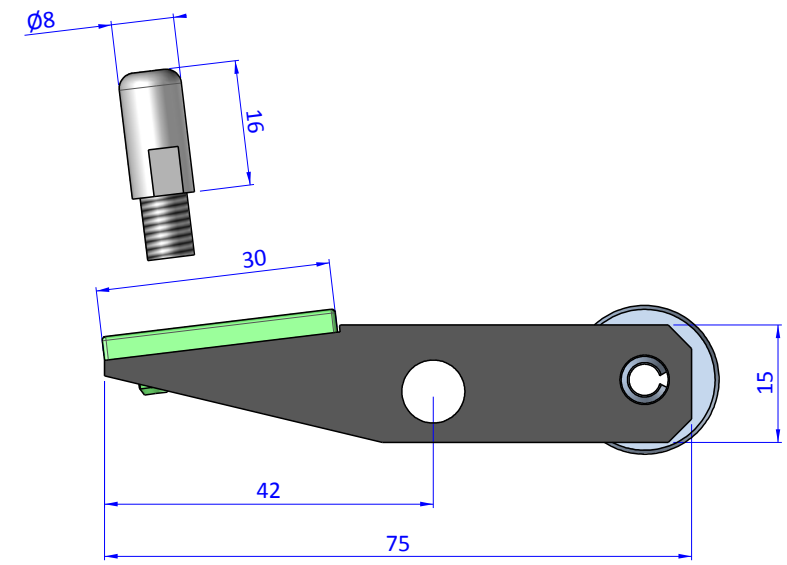
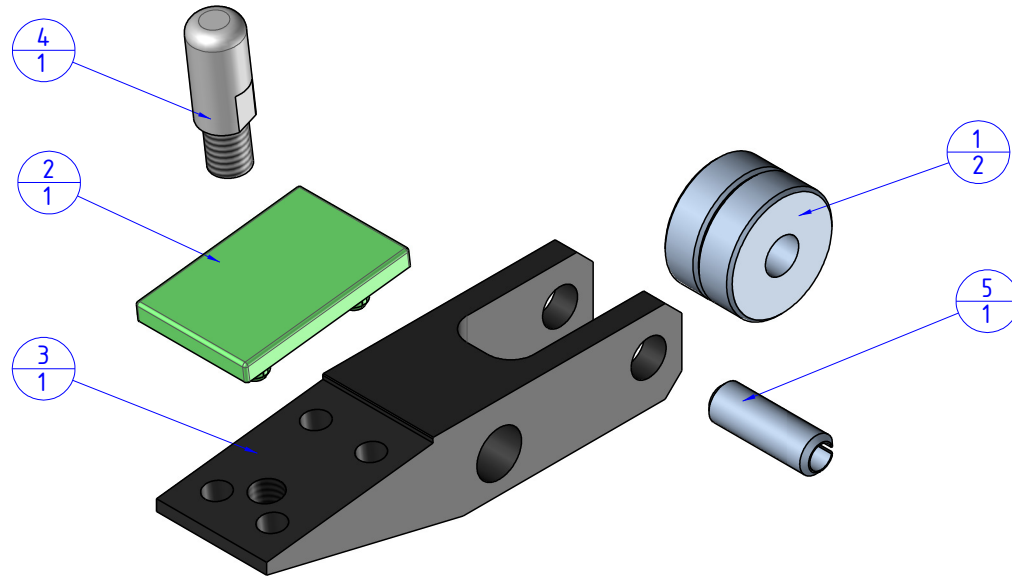



THE PROPERTY OF THE DRAWING IS ESTABLISHED BY LAW. IT IS FORBIDDEN TO PRODUCE OR SHOW IT TO THIRD PARTY, WITHOUT A WRITTEN AGREEMENT.

Item	Name	Qty.
1	CUS.626Z	2
2	GRF30.95.08.V	1
3	GZ.3225.02.L	1
4	GZ.3225.02.P	1
5	SPE.6X18	1



Format A3
UNI 936-76

 FPS FPSERVICES AUTOMATION		DESIGNED FROM		REVIEW
		FPS Automation		A
GENERAL TOLERANCE		DATE	WEIGHT	
UNI - ISO 2768		05/06/2019	0,058kg	
CLASSE f		CODE		
		CA.GZ.32.FING.G		CA.GZ.32.FING.G